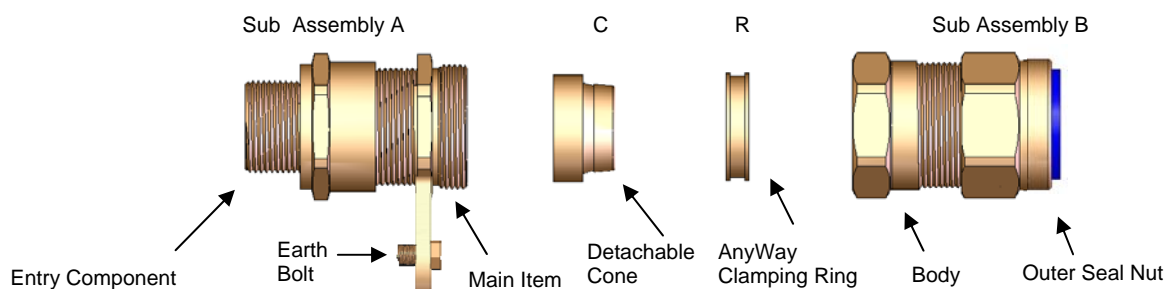


# Installation Instructions For Cable Gland Type E1W CIEL

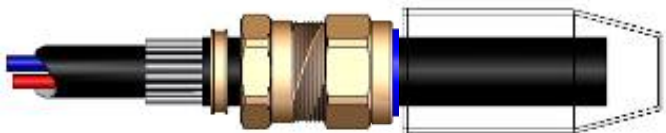
**FOR DIRECT ENTRY INSTALLATION - PLEASE READ ALL INSTRUCTIONS CAREFULLY BEFORE BEGINNING THE INSTALLATION**

It is not necessary to dismantle the cable gland any further than illustrated below

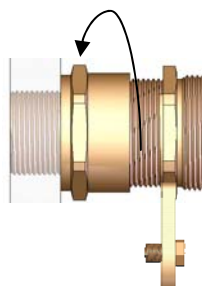


1. If required fit shroud over the cable outer sheath  
Prepare the cable by removing the cable outer sheath and the armour to suit the geometry of the equipment. Remove a further 18mm (maximum) of outer sheath to expose the armour. If applicable remove any tapes or wrappings to expose the cable inner sheath. Separate the gland into two sub-assemblies "A & B". Ensuring that the outer seal is relaxed, pass sub-assembly "B" over the cable outer sheath and armour followed by the "AnyWay" clamping ring (R).

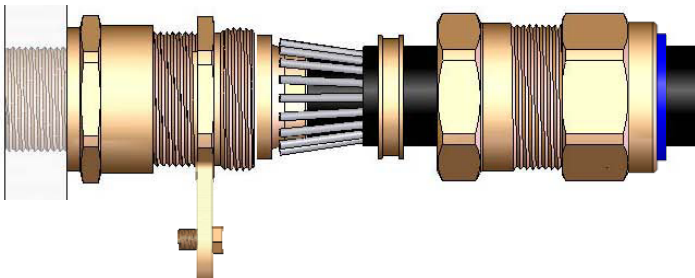
**Note:** On maximum size cables the clamping ring may only pass over the armour.



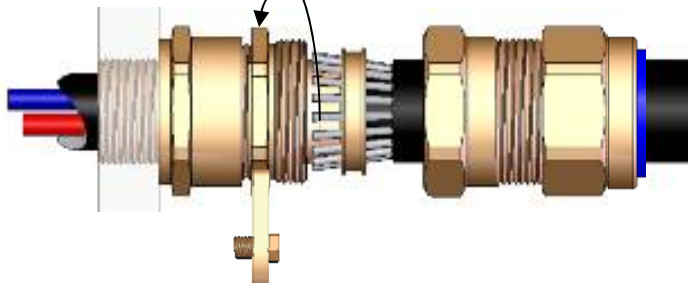
2. Ensure that the inner seal is relaxed and secure sub-assembly "A" into the equipment as indicated.



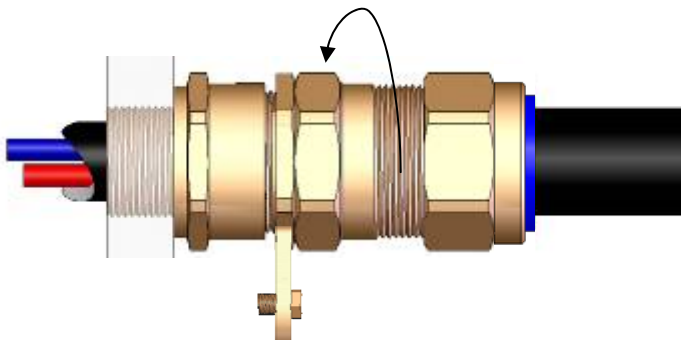
3. Locate the detachable armour cone (C) into the recess of sub-assembly "A". Pass cable through sub-assembly "A", evenly spacing the armour around the cone.



4. Whilst continuing to push the cable forward to maintain the armour in contact with the cone tighten the main item by hand until heavy resistance is achieved, then tighten a further full turn with a spanner.

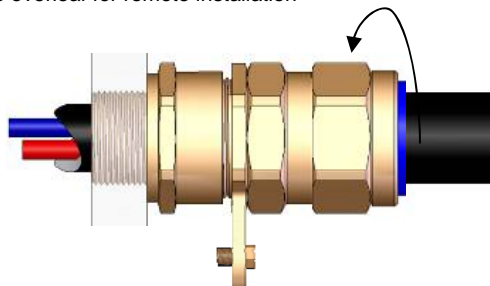


5. Hold the main item with a spanner, then tighten sub-assembly "B" onto sub-assembly "A" ensuring the two components make "metal to metal" contact.



6. Tighten the outer seal nut until either:  
i) the outer seal nut makes metal to metal contact with the gland body, or  
ii) the outer seal nut has clearly engaged the cable and cannot be further tightened without the use of excessive force by the installer.  
iii) connect the earth cable to the earth bolt

This completes the procedure for the direct entry installation procedure. Please see overleaf for remote installation



Document Reference: FI 300 Issue 1 11/08

## CMP Products

Glasshouse Street, St Peters, Newcastle Upon Tyne, NE6 1BS

Tel: +44 191 2657411 Fax: +44 191 265 0581

E: [cmp@cmp-products.com](mailto:cmp@cmp-products.com) Web: [www.cmp-products.com](http://www.cmp-products.com)



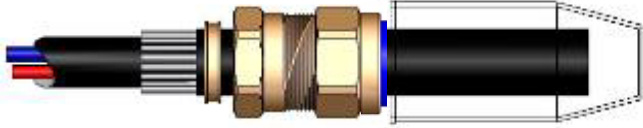
# Installation Instructions For Cable Gland Type E1W CIEL

**FOR REMOTE INSTALLATION - PLEASE READ ALL INSTRUCTIONS CAREFULLY BEFORE BEGINNING THE INSTALLATION**

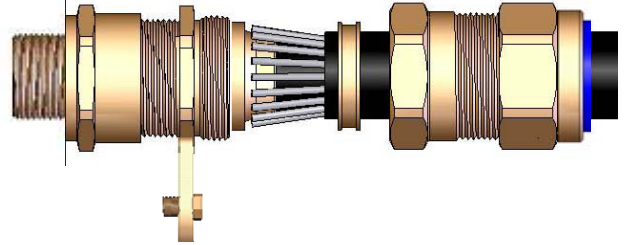
## 1. If required fit shroud over the cable outer sheath

Prepare the cable by removing the cable outer sheath and the armour to suit the geometry of the equipment. Remove a further 18mm (maximum) of outer sheath to expose the armour. If applicable remove any tapes or wrappings to expose cable inner sheath. Separate the gland into two sub-assemblies "A & B". Ensuring that the outer seal is relaxed, pass sub-assembly "B" over the cable outer sheath and armour followed by the "AnyWay" clamping ring (R).

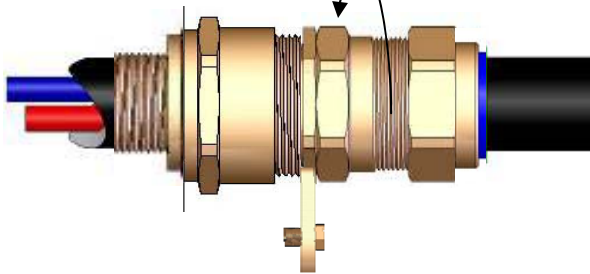
**Note:** On maximum size cables the clamping ring may only pass over the



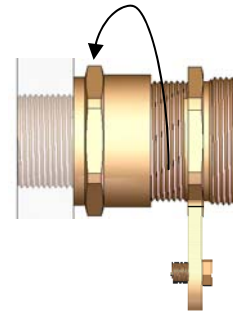
2. Locate the detachable armour cone (C) into the recess of sub-assembly "A". Pass cable through sub-assembly "A", evenly spacing the armour around the cone.



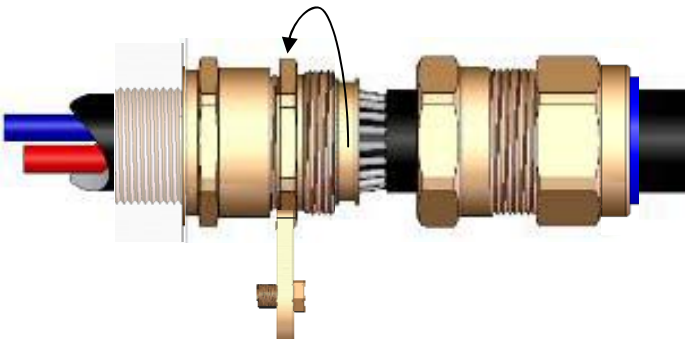
3. Hold the main item with a spanner then tighten the sub-assembly "B" onto sub-assembly "A" ensuring the two components make "metal to metal" contact. Disconnect sub-assembly "B" from sub-assembly "A".



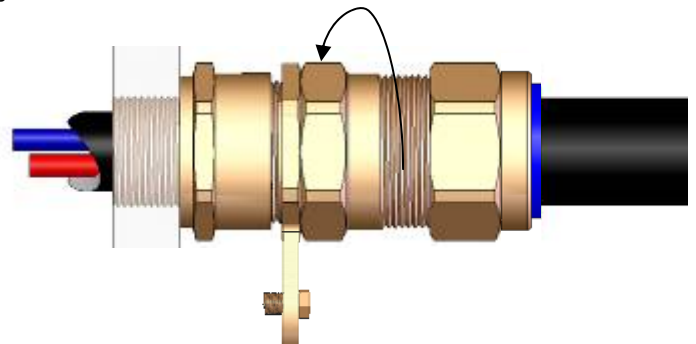
4. Ensure that the inner seal is relaxed and secure sub-assembly "A" into the equipment as indicated.



5. Pass cable through sub-assembly "A". Tighten the main item by hand until heavy resistance is achieved, then tighten a further full turn with a spanner.

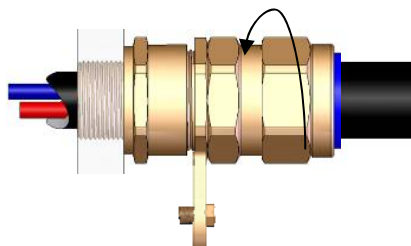


6. Hold the main item with a spanner, then re-tighten the sub-assembly "B" onto sub-assembly "A" ensuring the two components are fully tightened.



7. Tighten the outer seal nut until either:  
i) the outer seal nut is metal to metal contact with the gland body, or  
ii) the outer seal nut has clearly engaged the cable and cannot be further tightened without the use of excessive force by the installer.  
iii) connect the earth cable to the earth bolt

This completes the procedure for remote installation.



Document Reference: FI 300 Issue 1 11/08



## CMP Products

Glasshouse Street, St Peters, Newcastle Upon Tyne, NE6 1BS

Tel: +44 191 2657411 Fax: +44 191 265 0581

E: [cmp@cmp-products.com](mailto:cmp@cmp-products.com) Web: [www.cmp-products.com](http://www.cmp-products.com)