

TECHNICAL DATA

CABLE GLAND TYPE : A2
 INGRESS PROTECTION : IP66, NEMA 4X
 PROCESS CONTROL SYSTEM : BS EN ISO 9001

CLASSIFICATION

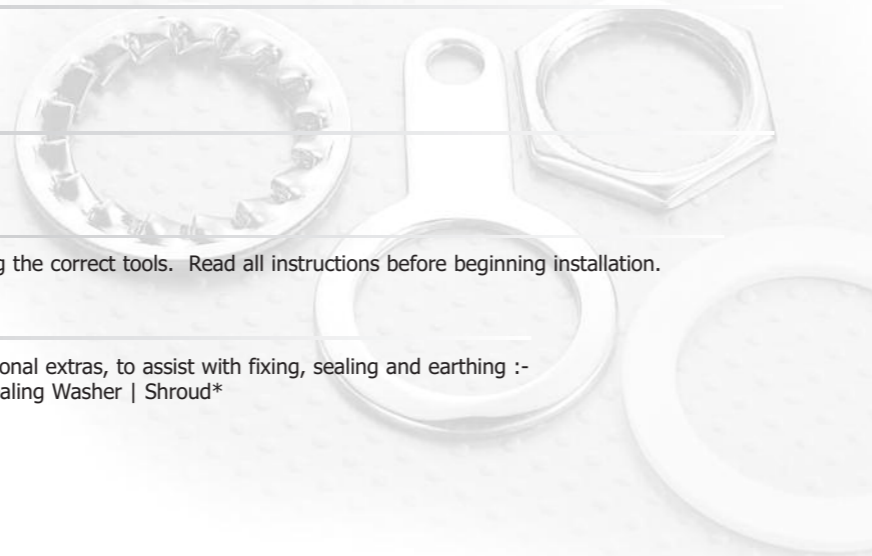
CSA CERTIFICATION No : 1211841
 CSA CERTIFICATION CODE : CSA Enclosure Type 4X

INSTALLATION INSTRUCTIONS

Installation should only be performed by a competent person using the correct tools. Read all instructions before beginning installation.

ACCESSORIES

The following accessories are available from CMP Products, as optional extras, to assist with fixing, sealing and earthing :-
 Locknut | Earth Tag | Serrated Washer | Entry Thread (I.P.) Sealing Washer | Shroud*



ASSEMBLY FITTING INSTRUCTIONS FOR INSTALLATION FOR A2 CABLE GLAND

CABLE GLAND FOR USE WITH UNARMoured AND BRAID ARMoured CABLES

CABLE GLAND TYPE A2

Cable Gland Size	Entry Threads			Min Thread Length	Diameter of Cable		Across Flats Max	Across Corners Max	Nominal Protrusion Length	Ordering Reference (Brass Metric)	PVC Shroud Ref*	Cable Gland Weight (Kgs)
	Standard		Option		Min	Max						
	Metric	NPT	NPT									
16	M16	1/2"	3/4"	15.0	3.2	8.1	22.0	23.8	18.0	16A21RA	PVC02	0.051
20S/16	M20	1/2"	3/4"	15.0	3.2	8.7	24.0	25.9	21.0	20S16A21RA	PVC04	0.054
20S	M20	1/2"	3/4"	15.0	6.1	11.7	24.0	25.9	21.0	20SA21RA	PVC04	0.054
20	M20	1/2"	3/4"	15.0	6.5	14.0	27.0	29.2	24.0	20A21RA	PVC05	0.059
25	M25	3/4"	1"	15.0	11.1	20.0	36.0	38.9	26.0	25A21RA	PVC09	0.112
32	M32	1"	1-1/4"	15.0	17.0	26.3	41.0	44.3	27.0	32A21RA	PVC10	0.128
40	M40	1-1/4"	1-1/2"	15.0	23.5	32.2	50.0	54.0	28.0	40A21RA	PVC13	0.168
50S	M50	1-1/2"	2"	15.0	31.0	38.2	55.0	59.4	29.0	50SA21RA	PVC14	0.224
50	M50	2"	2-1/2"	15.0	35.6	44.1	60.0	64.8	30.0	50A21RA	PVC17	0.231
63S	M63	2"	2-1/2"	15.0	41.5	50.0	70.0	75.6	30.0	63SA21RA	PVC20	0.360
63	M63	2-1/2"	3"	15.0	47.2	56.0	75.0	81.0	30.0	63A21RA	PVC22	0.344
75S	M75	2-1/2"	3"	15.0	54.0	62.0	79.0	85.3	32.0	75SA21RA	PVC24	0.466
75	M75	3"	3-1/2"	15.0	61.1	68.0	84.0	90.7	32.0	75A21RA	PVC26	0.395
90	M90	3"	3-1/2"	15.0	61.6	80.0	108.0	116.6	44.0	90A21RA	PVC31	1.346
100	M100	4"	-	15.0	76.0	91.0	122.0	131.8	48.0	100A21RA	150/50HST	1.575
115	M115	-	-	15.0	86.0	98.0	138.0	149.0	55.0	115A21RA	180/60HST	2.322
130	M130	-	-	15.0	97.0	115.0	154.0	166.3	62.0	130A21RA	180/60HST	3.400

All dimensions in millimeters

NOTE: *CMP SOLO LSF Halogen Free Shrouds also available on request.

Cable Gland Selection Table



CMP PRODUCTS



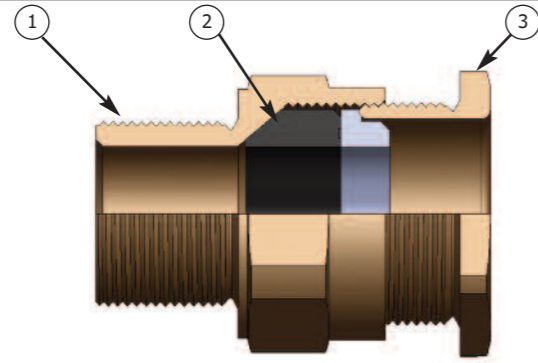
Registered Office: Glasshouse Street • St. Peters • Newcastle upon Tyne • NE6 1BS
 Tel: +44 191 265 7411 • Fax: +44 191 265 0581
 E-Mail: cmp@cmp-products.co.uk • Web: www.cmp-products.com
 Company Number:



INSTALLATION INSTRUCTIONS FOR CMP GLAND TYPE A2

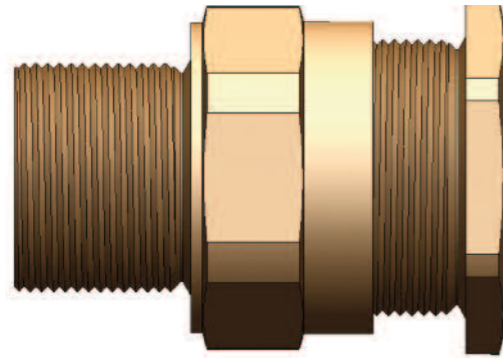
CABLE GLAND COMPONENTS

- 1. Entry Item
- 2. Seal
- 3. Seal Nut

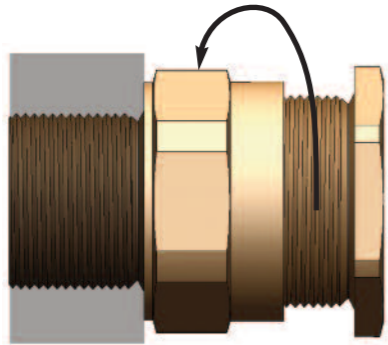


PLEASE READ ALL INSTRUCTIONS CAREFULLY BEFORE BEGINNING THE INSTALLATION

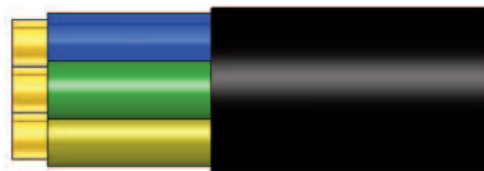
- 1. It is not necessary to dismantle the gland any further than illustrated below.



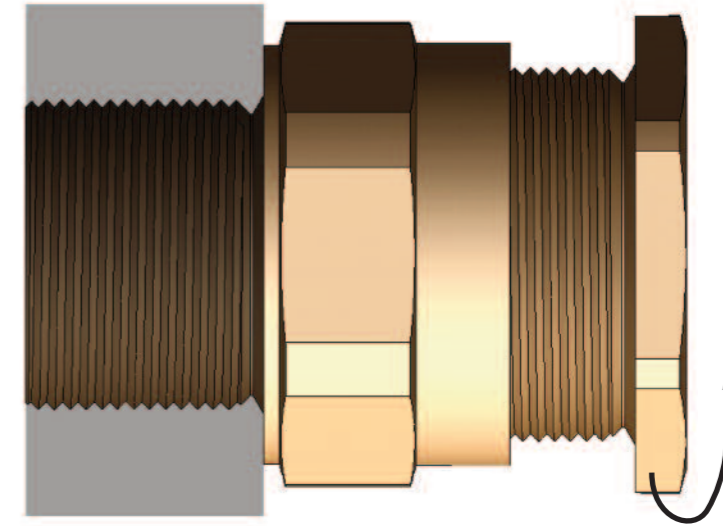
- 2. Fit the gland into the equipment and fully tighten the entry item (1).



- 3. Determine the conductor length required to suit the installation and prepare the cable accordingly, removing part of the outer sheath where required to reveal the insulated conductors.



- 4. Slacken the seal nut (3) to relax the seal (2).



- 5. Pass the cable through the gland to the desired position, then tighten the seal nut by hand until resistance is felt (when the seal contacts the cable). Tighten with a spanner one further turn.

