

TECHNICAL DATA
 ADAPTOR TYPE : 781D / 781E
 INGRESS PROTECTION : IP66
 PROCESS CONTROL SYSTEM : BS EN ISO 9001 - 2000

HAZARDOUS AREA CLASSIFICATION
 ATEX CERTIFICATION No : SIRA10ATEX1307U
 ATEX CERTIFICATION CODE 781D : II 2 GD Ex d IIC Gb / Exe IIC Gb / Ex ta IIIC Da
 ATEX CERTIFICATION CODE 781E : II 2 GD Ex e IIC Gb / Ex ta IIIC Da
 IEC Ex CERTIFICATION No : IECEx SIR.10.0148U
 IEC Ex CERTIFICATION CODE 781D : Ex d IIC Gb / Ex e IIC Gb / Ex ta IIIC Da
 IEC Ex CERTIFICATION CODE 781E : Ex e IIC Gb / Ex ta IIIC Da

INSTALLATION INSTRUCTIONS
 Installation should only be performed by a competent person using the correct tools. Read all instructions before beginning installation.

SPECIAL CONDITIONS FOR SAFE USE
 1. When used as drain plugs the 781D or 781 E must be fitted to the bottom of the enclosure.
 2. The breather drain plug shall not be used with any form of adaptor or reducer.

ACCESSORIES
 The following accessories are available from CMP Products, as optional extras, to assist with fixing, sealing and earthing :-
 Locknut | Earth Tag | Serrated Washer | Entry Thread (I.P.) Sealing Washer | Shroud *

781E

Ordering Reference	Thread Size	Minimum Thread Length	Protrusion Length	Across Flats	Across Corners	Installation Torque (Nm)
781EM2	M20 X 1.5	15.0	28.0	30.0	31.0	7
781EM2	M25 X 1.5	15.0	28.0	36.0	38.9	10
781ET1	1/2" NPT	15.0	33.0	30.0	31.0	7
781ET2	3/4" NPT	15.0	33.0	36.0	38.9	10

All dimensions in millimeters unless otherwise stated

781D

Ordering Reference	Thread Size	Minimum Thread Length	Protrusion Length	Across Flats	Across Corners	Installation Torque (Nm)
781DM2	M20 X 1.5	15.0	28.0	30.0	31.0	7
781DM2	M25 X 1.5	15.0	28.0	36.0	38.9	10
781DT1	1/2" NPT	15.0	33.0	30.0	31.0	7
781DT2	3/4" NPT	15.0	33.0	36.0	38.9	10

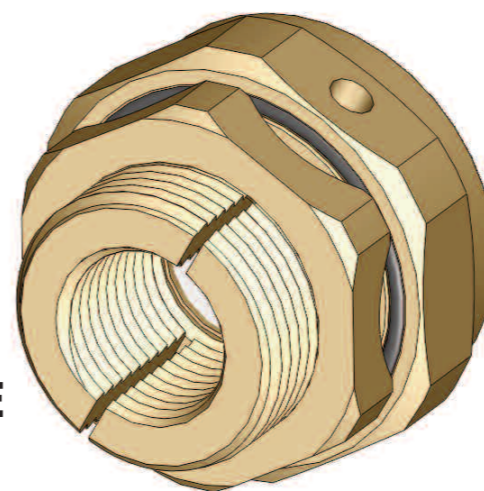
All dimensions in millimeters unless otherwise stated

ASSEMBLY FITTING INSTRUCTIONS FOR INSTALLATION OF CMP BREATHER DRAIN TYPE 781D & 781E

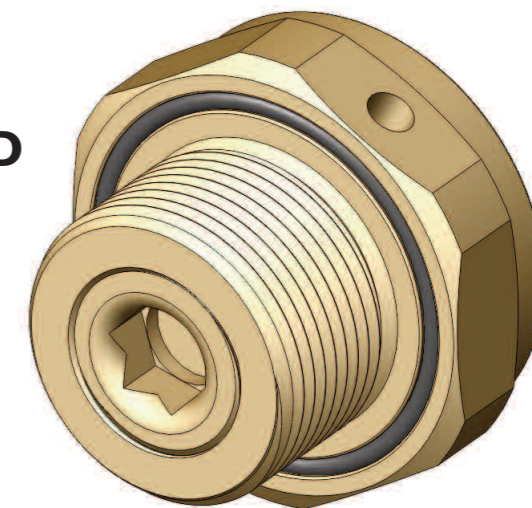
BREATHER DRAIN DEVICES FOR USE IN Ex d (781D) OR Ex e (781E) APPLICATIONS.

**INCORPORATING EC DECLARATION OF CONFORMITY TO
 DIRECTIVE 94/9/EC**

TYPE 781D & 781E BREATHER DRAIN



781E



781D

781D - Breather drain for Ex d applications

781E - Breather drain for Ex e applications



CMP PRODUCTS

I, the undersigned, hereby declare that the equipment referred to herein conforms to 94/9/EC directive.

G. I. Mood

Dr Geof Mood - Technical Director - (Authorised Person)

Glasshouse Street • St. Peters • Newcastle upon Tyne • NE6 1BS
 Tel: +44 191 265 7411 • Fax: +44 191 265 0581
 E-Mail: cmp@cmp-products.co.uk • Web: www.cmp-products.com



CMP PRODUCTS

CE 0518

Notified Body: Sira Certification Service, Rake Lane, Chester CH4 9JN, England.

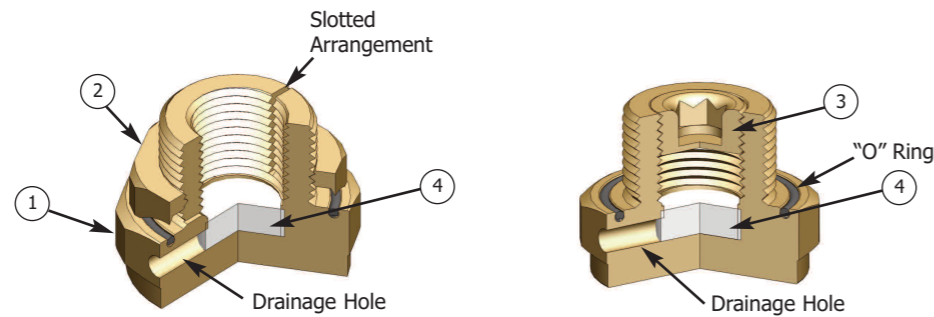
www.cmp-products.com



INSTALLATION INSTRUCTIONS FOR TYPE 781D & 781E BREATHER DRAIN PLUGS

BREATHER DRAIN COMPONENTS

1. Body
2. Castellated Locknut (781E only)
3. Threaded Insert (781D only)
4. Felt pad

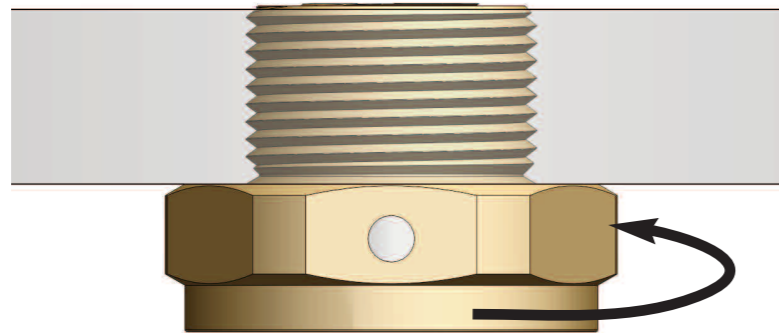


NOTE: IF USED AS A DRAIN THE 781D/781E MUST BE FITTED AT THE LOWEST POINT OF THE ENCLOSURE
PLEASE READ ALL INSTRUCTIONS CAREFULLY BEFORE BEGINNING THE INSTALLATION

781D ONLY

Screw the breather drain body (1) into the equipment and tighten with a spanner.

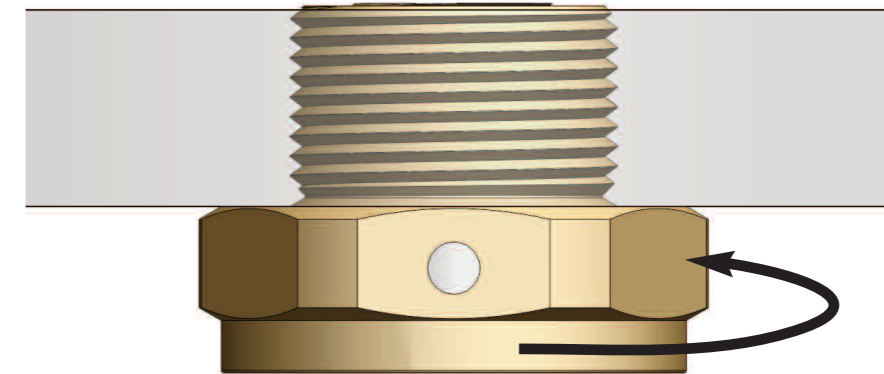
Do not disturb the threaded insert (3). This insert forms a protective flamepath and is also the drain path for any water that may get into the equipment.



781E ONLY - THREADED ENTRY

1. Remove the castellated locknut
2. If the equipment entry is threaded, screw the breather drain body (1) into the entry hole and tighten with a spanner. There is no need to fit the castellated locknut.

Do not disturb the felt pad (4).



781E ONLY - CLEARANCE HOLE ENTRY

3. If the equipment entry is a clearance hole, then position the body (1) in the entry hole and secure using the castellated locknut and tighten. Ensure that the nut castellations are towards the enclosure wall to ease water drainage.

Do not disturb the felt pad (4).

