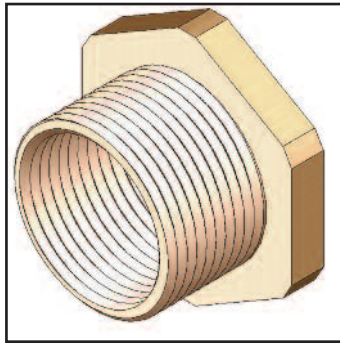


INSTRUCTIONS INSTALLATION FOR CMP ADAPTORS/REDUCERS TYPE 737 AND 797

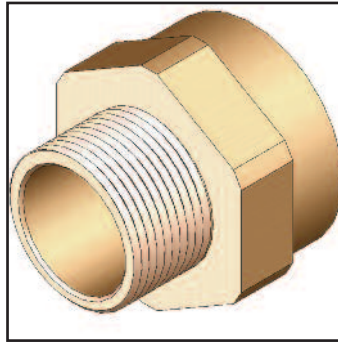
ADAPTORS AND REDUCERS TO CHANGE THE SIZE, TYPE OR GENDER OF A THREADED COMPONENT.

TYPE 737 AND 797 ADAPTORS / REDUCERS

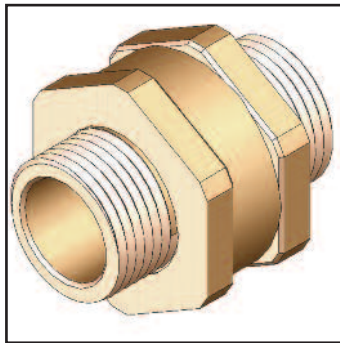
737
REDUCER



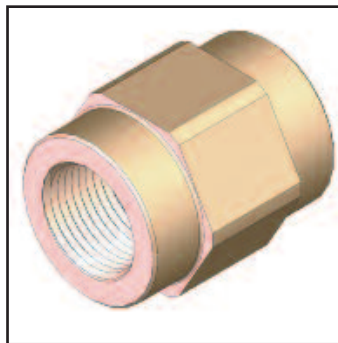
737 ADAPTOR



797
ADAPTOR
MALE TO MALE



797
ADAPTOR
FEMALE TO FEMALE



CMP PRODUCTS

The 737 Adaptors and Reducers, and 797 Adaptors are available in metal and nylon.

TECHNICAL DATA

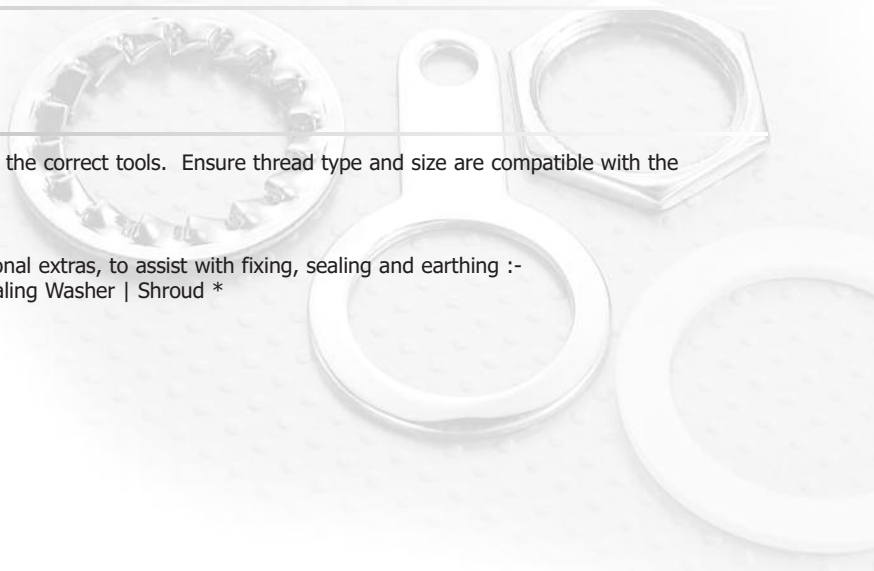
CABLE GLAND TYPE : 737 and 797
 INGRESS PROTECTION : IP66, IP67, IP68
 PROCESS CONTROL SYSTEM : BS EN ISO 9001

INSTALLATION INSTRUCTIONS

Installation should only be performed by a competent person using the correct tools. Ensure thread type and size are compatible with the associated enclosure / fitting threads. Fully tighten threads

ACCESSORIES

The following accessories are available from CMP Products, as optional extras, to assist with fixing, sealing and earthing :-
 Locknut | Earth Tag | Serrated Washer | Entry Thread (I.P.) Sealing Washer | Shroud *



Male Thread (mm)	Female Thread (mm)	737	797 (Female to Female)	797 (Male to Male)	Max Installation Torque (Nm)
16	16	737GM1M1	797GM1FM1F	797GM1MM1M	7
20	20	737GM2M2	797GM2FM2F	797GM2MM2M	7
25	25	737GM3M3	797GM3FM3F	797GM3MM3M	10
32	32	737GM4M4	797GM4FM4F	797GM4MM4M	15
40	40	737GM5M5	797GM5FM5F	797GM5MM5M	25
50	50	737GM6M6	797GM6FM6F	797GM6MM6M	30
63	63	737GM7M7	797GM7FM7F	797GM7MM7M	45
75	75	737GM8M8	797GM8FM8F	797GM8MM8M	45
90	90	737GM9M9	797GM9FM9F	797GM9MM9M	45
100	100	737GM10M10	797GM10FM10F	797GM10MM10M	45

Dimensions are displayed in millimetres unless otherwise stated

Note:

1. Female thread sizes can be up to two sizes larger than the male threads or any size smaller, e.g. 737GM1M3
2. 737 Adaptors / Reducers are available with an integral entry thread seal. Select this version by adding "R" after 737G, e.g. 737GRM7M7
3. Other materials and thread types are available, consult CMP website (www.cmp-products.com) for details



Glasshouse Street • St. Peters • Newcastle upon Tyne • NE6 1BS
 Tel: +44 191 265 7411 • Fax: +44 191 265 0581
 E-Mail: cmp@cmp-products.com • Web: www.cmp-products.com

